



ANALYTICAL SOLUTIONS

CONCENTRATE TABLES

METALLURGICAL

LABORATORY EQUIPMENT

SAMPLING

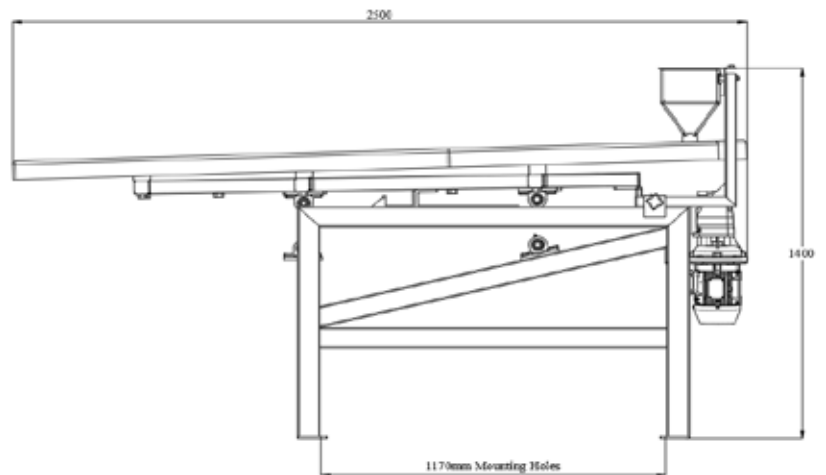
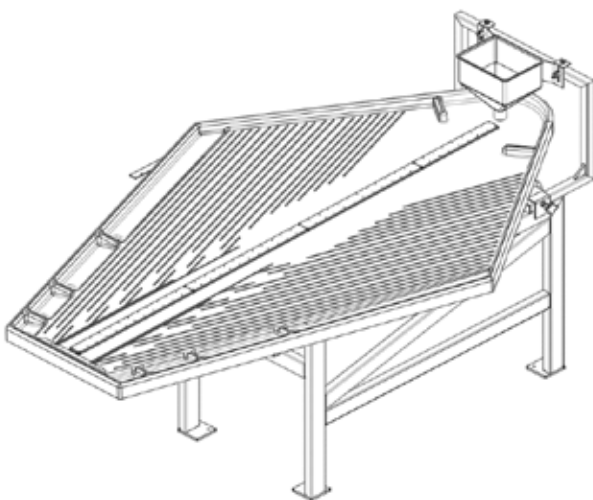
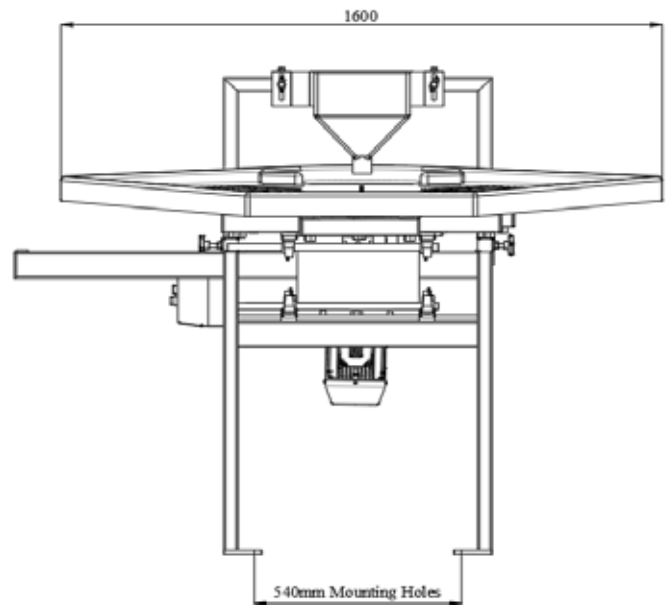
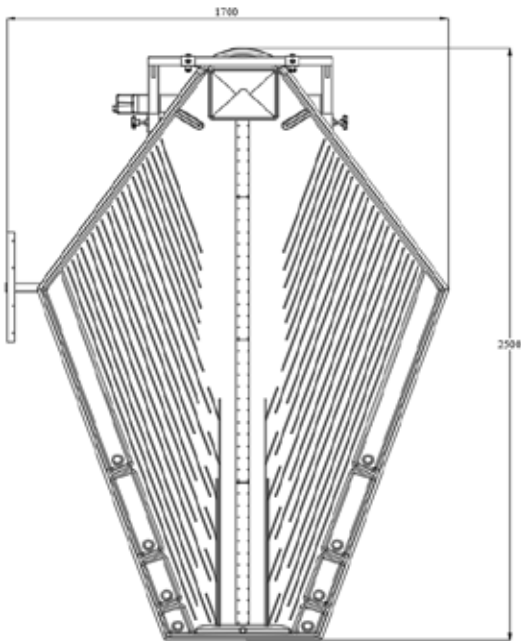
TURNKEY PROJECTS

PRODUCTIVITY IN MINERALS

MODEL ST-300

SPECIFICATION SHEET

Feed Capacity:	280 - 320kg/hr solids
Water Requirement:	1800 l/hr
Water Pressure:	300 kPa
Motor:	0.75KW 4P 220/380V 50/60hz
Net Weight:	240kg



MIT-GROUP

MINERAL INNOVATIVE TECHNOLOGIES



THANK YOU FOR YOUR CONSIDERATION

METALLURGICAL

ANALYTICAL SOLUTIONS

LABORATORY EQUIPMENT

TURNKEY PROJECTS

CONTACT US

Tel: 0861 500 108
Fax: 0866 138 322
Email: info@m-i-t.co.za
Website: www.m-i-t.co.za

SAMPLING

